

Direct Operated 2 Port Solenoid Valve For Water

Series VCW

Improved durability (Nearly twice the life of the previous series)

Resistance of moving parts has been reduced through the use of a unique magnetic material. Service life, wear resistance, and corrosion resistance are improved.

Large flow rate: Av factor 3.84 to $50.40 \times 10^{-6} \text{ m}^2$

**Compact: Single valve volume reduced by -15% (Class 3)
Manifold length reduced by -18% (Class 3: 5 stations) (SMC comparison)**

Built-in surge voltage suppressor

Built-in rectifying circuit (AC)

- AC/DC switchover is possible by simply changing the coil.
- Noise prevention

Clip type

Ease of maintenance has been improved.

Changing of the coil is made easy by means of clip design.

Miniaturized coil

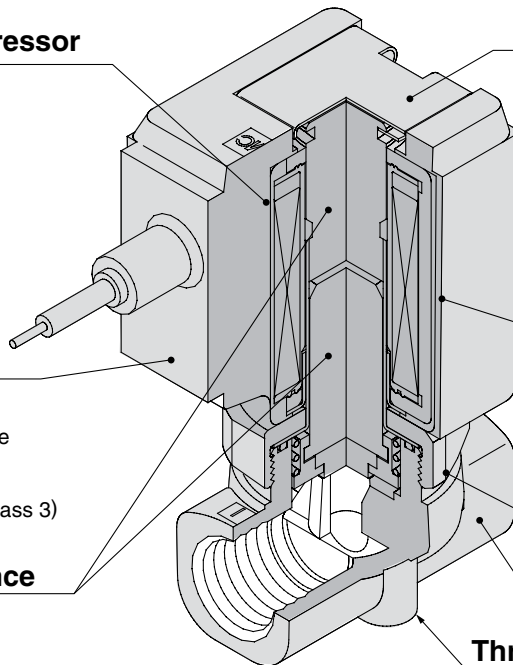
Compact and lightweight

New compact coil reduces the overall size and weight of the valve.

Volume: -15% } SMC comparison (Class 3)
Weight: -20% }

Improved corrosion resistance

Special material introduced.



Flame resistant molded coil material

Flame resistance equivalent to UL94 standard V-0

Threaded assembly

Simplifies maintenance

Improved corrosion resistance

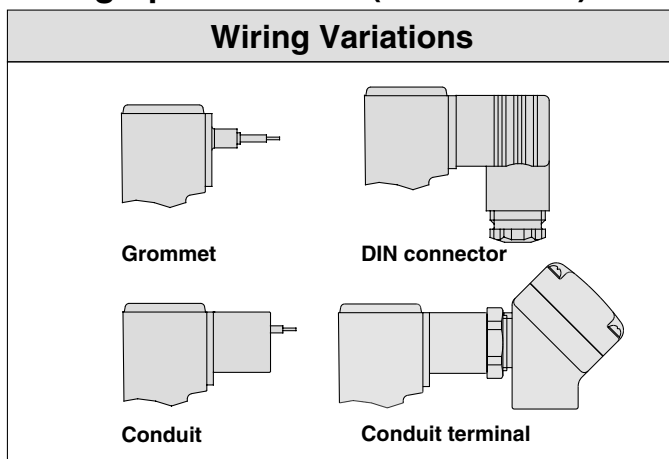
Threaded for bottom mounting

Special bracket can be mounted.

A variety of wiring options

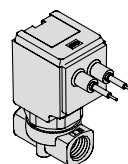
Grommet, DIN terminal, Conduit, Conduit terminal

Wiring Specifications (Class B coil)

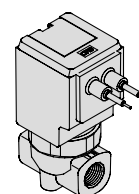


Enclosure: Dusttight/Low jetproof (Equivalent to IP65)

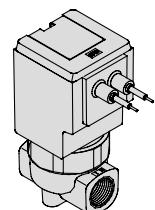
Lined Up by Compact Design



VCW2
Class 2



VCW3
Class 3



VCW4
Class 4

VC□

VDW

VQ

VX2

VX□

VX3

VXA

VN□

LVC

LVA

L VH

LVD

L VQ

LQ

L VN

T/ TIL

PA

PAX

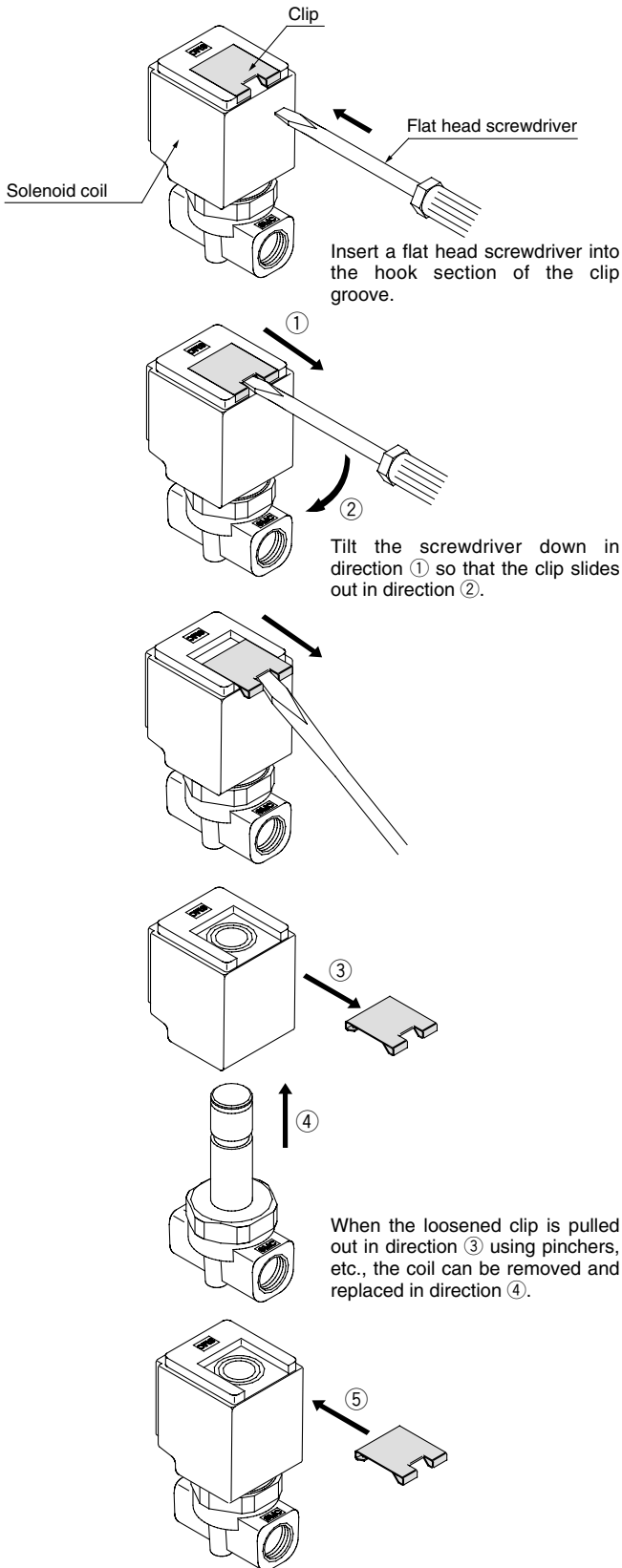
PB

⚠ Precautions

Be sure to read before handling. Refer to page 17-6-3 for Safety Instructions and Solenoid Valve Precautions.

Replacing the Solenoid Coils

⚠ Caution



Replacement Parts

● Solenoid coil part no.

VCW 20 — 1 G — []

Series	
20	Class 2
30	Class 3
40	Class 4

Voltage	
1	100 VAC
2	200 VAC
3	110 VAC
4	220 VAC
5	24 VDC
6	12 VDC
36	230 VAC

Lead wire length	
Nil	300 mm
L1	600 mm
L2	1000 mm
L3	1500 mm
L4	3000 mm

● Electrical entry

G	Grommet
D	DIN terminal
DL	DIN terminal with indicator light
DO	DIN terminal (without terminal)
C	Conduit
T	Conduit terminal
TL	Conduit terminal with indicator light

● Clip part no.

AZ-T-VCW Valve model no. on page 17-2-52/57.

Note) Indicate the valve model no. as a label will be attached to the clip.

● Seal part no.

Valve

For VCW20

OR-1860-120- []

Nil: NBR
F: FKM
E: EPDM
P: PTFE

For VCW30

OR-2380-130- []

Nil: NBR
F: FKM
E: EPDM
P: PTFE

For VCW40

OR-2600-180- []

Nil: NBR
F: FKM
E: EPDM
P: PTFE

Manifold

For VCW20

OR-1400-178- []

Nil: NBR
F: FKM
E: EPDM
P: PTFE

OR-2670-178- []

Nil: NBR
F: FKM
E: EPDM
P: PTFE

For VCW30, 40

OR-1717-178- []

Nil: NBR
F: FKM
E: EPDM
P: PTFE

OR-3305-178- []

Nil: NBR
F: FKM
E: EPDM
P: PTFE

⚠ Precautions

Be sure to read before handling. Refer to page 17-6-3 for Safety Instructions and Solenoid Valve Precautions.

Glossary

Pressure

1. Maximum operating pressure differential

This indicates the maximum pressure differential (inlet and outlet pressure differential) which can be allowed for operation with the valve closed or open. When the downstream pressure is 0 MPa, this becomes the maximum operating pressure.

2. Maximum system pressure

This indicates the limit of pressure that can be applied inside the pipelines. (Line pressure)
(The pressure differential of the solenoid valve unit must be no more than the maximum operating pressure differential.)

3. Withstand pressure

The pressure which must be withstood without a drop in performance after returning to the operating pressure range (The value under the prescribed conditions).

Electricity

1. Surge voltage

A high voltage which is momentarily generated in the shut-off unit by shutting off the power.

Others

1. Material

NBR: Nitrile rubber
FKM: Fluoro rubber = FPM – Trade names: Viton®, Dai-El®, etc.
EPDM: Ethylene propylene rubber = EPR
PTFE: Polytetrafluoroethylene resin – Trade names: Teflon®, Polyflon®. etc.
C37: Brass
SUS: Stainless steel

2. JIS symbol

According to JIS symbol, even though (□□□□) IN and OUT shows the blocked state (≡), when there is reverse pressure (OUT > IN), there is limited blocking ability. To describe the fact that it cannot be blocked by reverse pressure, (□□□□) symbol is used here.

VC□

VDW

VQ

VX2

VX□

VX3

VXA

VN□

LVC

LVA

L VH

LVD

LVQ

LQ

LVN

TI/
TIL

PA

PAX

PB

Direct Operated 2 Port Solenoid Valve For Water

Series VCW

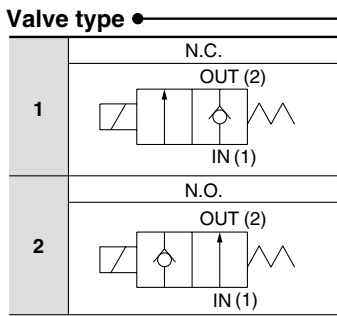
How to Order Valves (Single Unit)

VCW 2 1 1 G 2 02

For water
When no symbol is shown for "Material and insulation type"
• Body material: C37
• Seal material: NBR
• Coil insulation: Class B

Series

2	Class 2
3	Class 3
4	Class 4



Voltage

1	100 VAC
2	200 VAC
3	110 VAC
4	220 VAC
5	24 VDC
6	12 VDC
36	230 VAC

* Please consult with SMC regarding other voltages.

Electrical entry

G - Grommet 	C - Conduit
T - Conduit terminal TL - Conduit terminal with indicator light	D - DIN terminal DL - DIN terminal with indicator light DO - DIN terminal (without connector)

* All types are equipped with surge voltage suppressor.

Option

Nil	None
F	Foot type bracket

Material and insulation type

Symbol	Body material	Seal material	Coil insulation type	Note
Nil	C37	NBR	B	
A		FKM		
B		EPDM		
C		PTFE		
G	SUS	NBR	B	
H		FKM		
J		EPDM		
K		PTFE		
L		FKM		
				^{Note)} For pure water

Note) High corrosion resistant specification used for armature material.

Thread type

Nil	Rc
F	G
N	NPT

Port size

Symbol	Port size	Class 2	Class 3	Class 4
01	1/8 (6A)	○	—	—
02	1/4 (8A)	○	○	○
03	3/8 (10A)	—	○	○
04	1/2 (15A)	—	○	○
06	3/4 (20A)	—	—	○

Orifice size

Symbol	Orifice size (mm)	Class 2	Class 3	Class 4
2	2	○	—	—
3	3	○	○	○
4	4	○	○	○
5	5	○	○	○
7	7	—	○	○
10	10 ^{Note)}	—	○	○

Note) ø10 is available only for N.C. (normally closed).
* Refer to the below table for orifice and port size combinations.

Orifice and Port Size Combinations

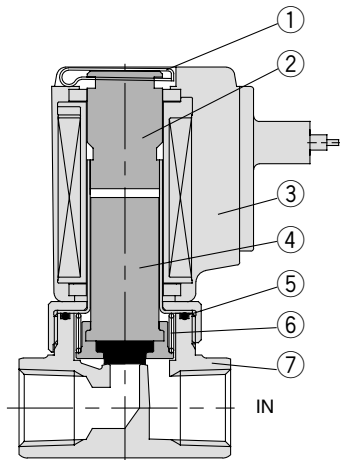
Class	Port size	Orifice size (mm)					
		2	3	4	5	7	10 ^{Note)}
2	1/8 (6A)	●	●	●	●	—	—
	1/4 (8A)	●	●	●	●	—	—
3	1/4 (8A)	—	●	●	●	●	—
	3/8 (10A)	—	●	●	●	●	●
4	1/2 (15A)	—	—	—	—	—	●
	1/4 (8A)	—	●	●	●	●	—
	3/8 (10A)	—	●	●	●	●	●
	1/2 (15A)	—	—	—	—	—	●
	3/4 (20A)	—	—	—	—	—	●

Note) ø10 is available only for N.C. (normally closed).

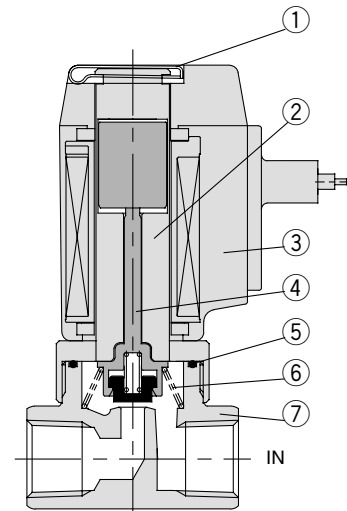
Series VCW

Construction

N.C.



N.O.



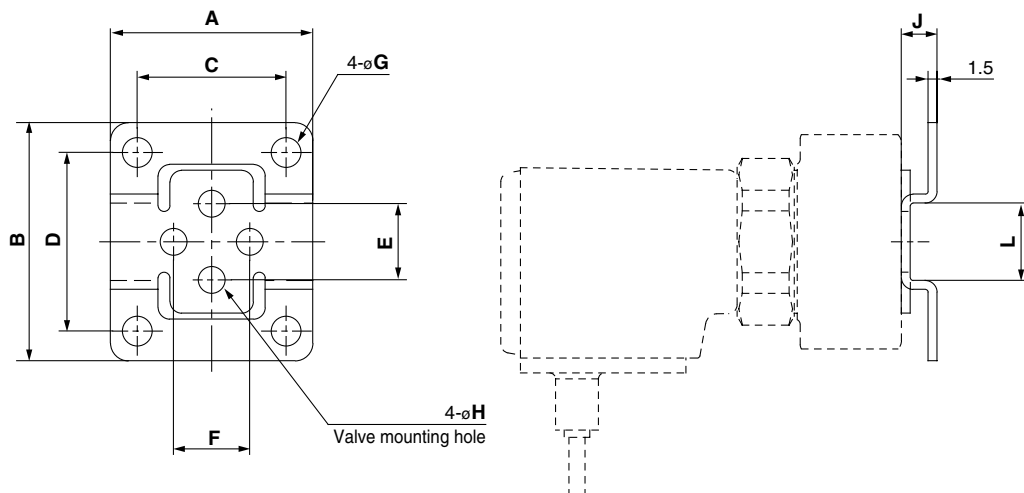
Component Parts

No.	Description	Material	
		Standard	Option
①	Clip	Stainless steel	—
②	Tube assembly	Stainless steel	—
③	Coil assembly	Class B	—
④	Armature assembly	Class 2 Stainless steel, PPS, NBR Class 3 Stainless steel, NBR	Stainless steel, NBR/Stainless steel, FKM, Stainless steel, EPDM/Stainless steel, PTFE
⑤	O-ring	NBR	FKM, EPDM, PTFE
⑥	Return spring	Stainless steel	—
⑦	Body	Brass	Stainless steel

Component parts

No.	Description	Material	
		Standard	Option
①	Clip	Stainless steel	—
②	Tube assembly	Stainless steel, PTFE	—
③	Coil assembly	Class B	—
④	Push rod assembly	PPS-NBR	PPS, NBR/PPS, FKM PPS, EPDM/PPS, PTFE
⑤	O-ring	NBR	FKM, EPDM, PTFE
⑥	Return spring	Stainless steel	—
⑦	Body	Brass	Stainless steel

Dimensions: Bracket



Bracket Mounting Dimensions/Bracket Material: Stainless Steel

Valve model	Port size	Bracket part no.	A	B	C	D	E	F	G	H	J	L
VCW2□	1/8, 1/4	VCW20-12-01A	34	40	25	30	12.8	12.8	5	4.5	6	13
VCW3□	1/4, 3/8	VCW30-12-02A	42	52	30	40	19	19	6	5.5	7	19
	1/2	VCW30-12-04A ^{Note 1)}	48	56	36	44	23	23	6	5.5	7	23
VCW4□	1/4, 3/8	VCW40-12-02A	42	52	30	40	23	23	6	5.5	7	19
	1/2	VCW30-12-04A ^{Note 1)}	48	56	36	44	23	23	6	5.5	7	23
	3/4	VCW40-12-06A	56	65	44	53	28.2	28.2	6	5.5	7	26

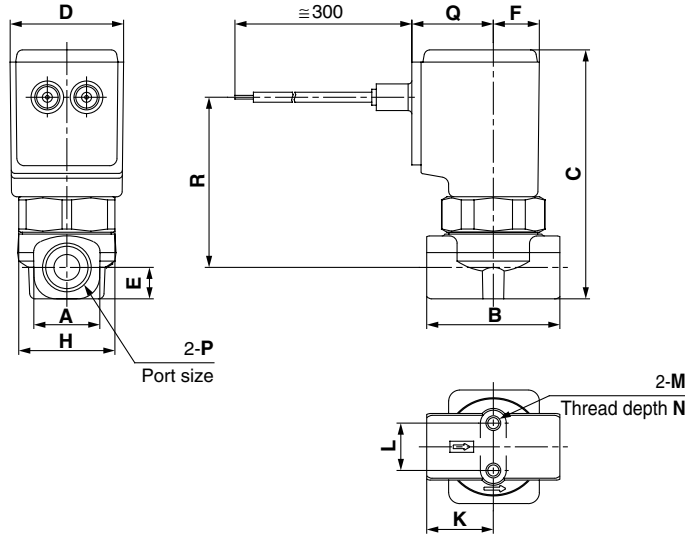
* 2 mounting screws (for mounting bracket) are included in bracket part no.

Note 1) The same bracket is used for VCW3□ and VCW4□ (port size 1/2).

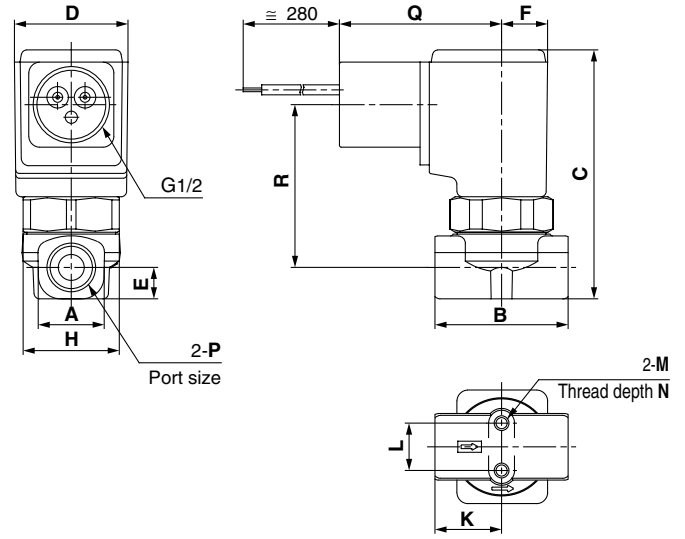
Direct Operated 2 Port Solenoid Valve For Water Series V CW

Dimensions (N.C.)

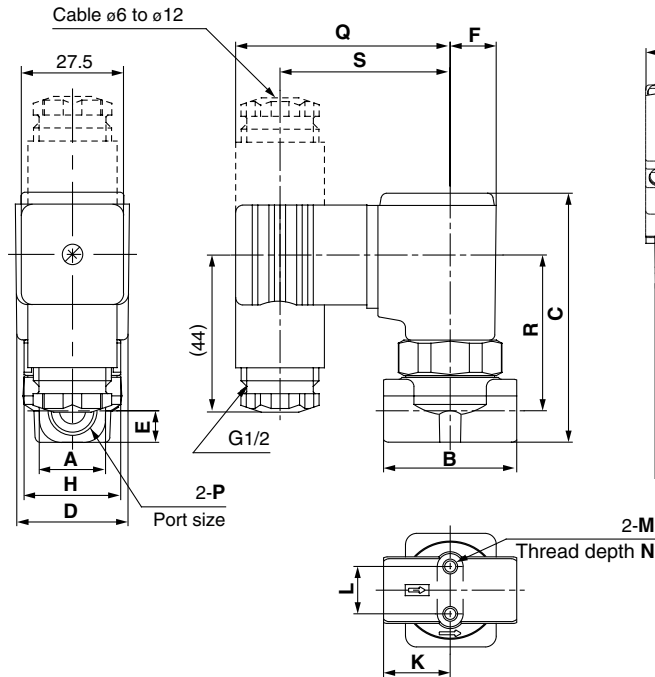
Grommet: G



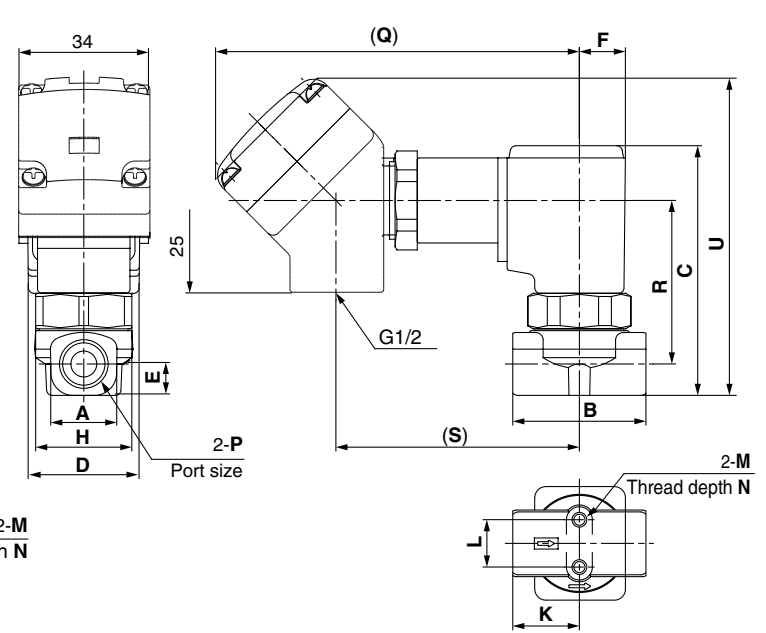
Conduit: C



DIN terminal: D



Conduit terminal: T



- VC□
- VDW
- VQ
- VX2
- VX□
- VX3
- VXA
- VN□
- LVC
- LVA
- LVH
- LVD
- LVQ
- LQ
- LVN
- TI/
TIL
- PA
- PAX
- PB

N.C.

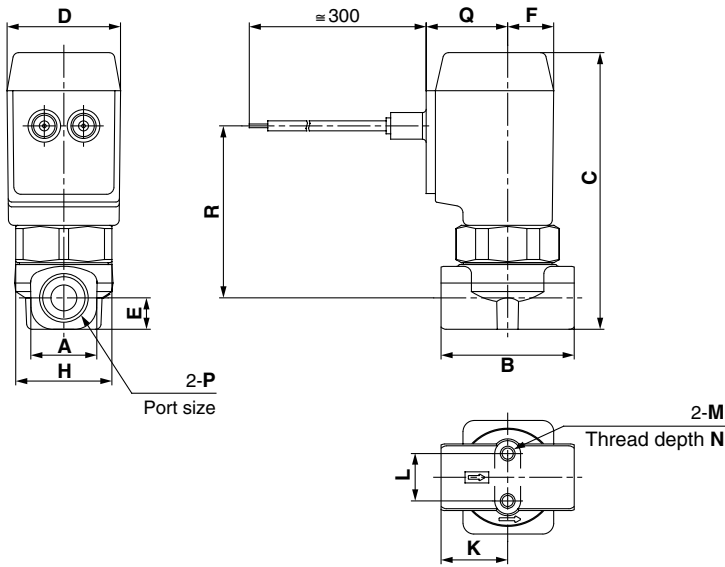
(mm)

Model	P Port size	A	B	C	D	E	F	H	K	L	M	N	Electrical entry										
													Grommet: G		Conduit: C		DIN terminal: D			Conduit terminal: T			
													Q	R	Q	R	Q	R	S	Q	R	S	U
VCW21	1/8	13.5	28	64	31	6.5	12.5	28	14	12.8	M4	4.5	22	45	44	43	58	40.5	46.5	99	43	66	83
	1/4	18	36	67.5	31	8.5	12.5	28	18	12.8	M4	6	22	46	44	44	58	41.5	46.5	99	44	66	86
VCW31	1/4, 3/8	22	40	81.5	36.5	11	15	32	20	19	M5	8	24	56.5	46	54.5	60	52	48.5	101	54.5	68	99
	1/2	30	50	86	36.5	13.5	15	32	25	23	M5	8	24	59	46	57	60	54.5	48.5	101	57	68	104
VCW41	1/4, 3/8	22	45	90	41	11	17	36	22.5	23	M5	8	26	64.5	48	62.5	62	60	50.5	103	62.5	70	107
	1/2	30	50	94	41	13.5	17	36	25	23	M5	8	26	66.5	48	64.5	62	62	50.5	103	64.5	70	111.5
	3/4	35	60	102	41	17.5	17	36	30	28.2	M5	8	26	70	48	68	62	65.5	50.5	103	68	70	119

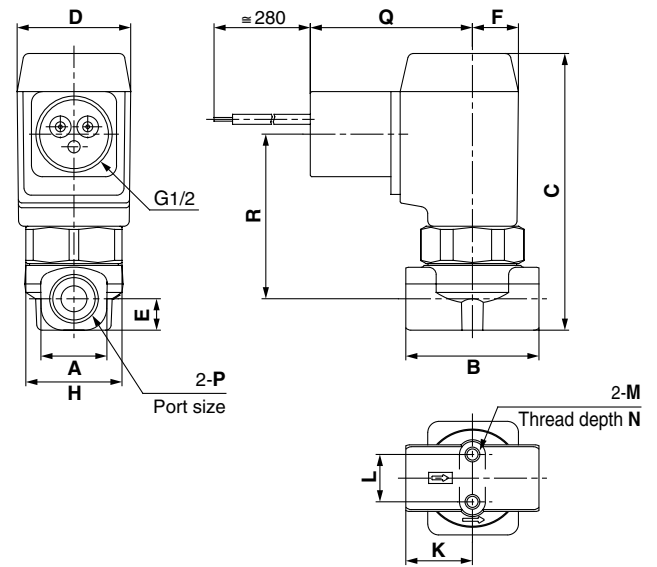
Series VCW

Dimensions (N.O.)

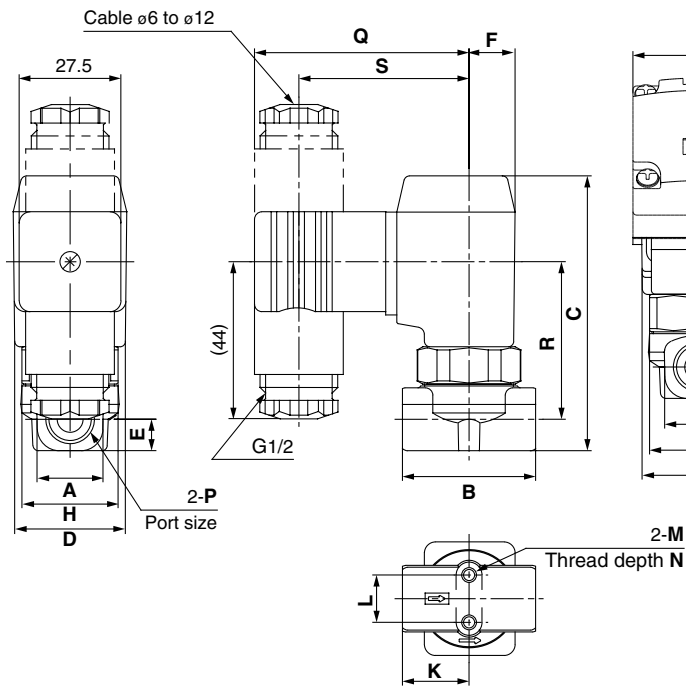
Grommet: G



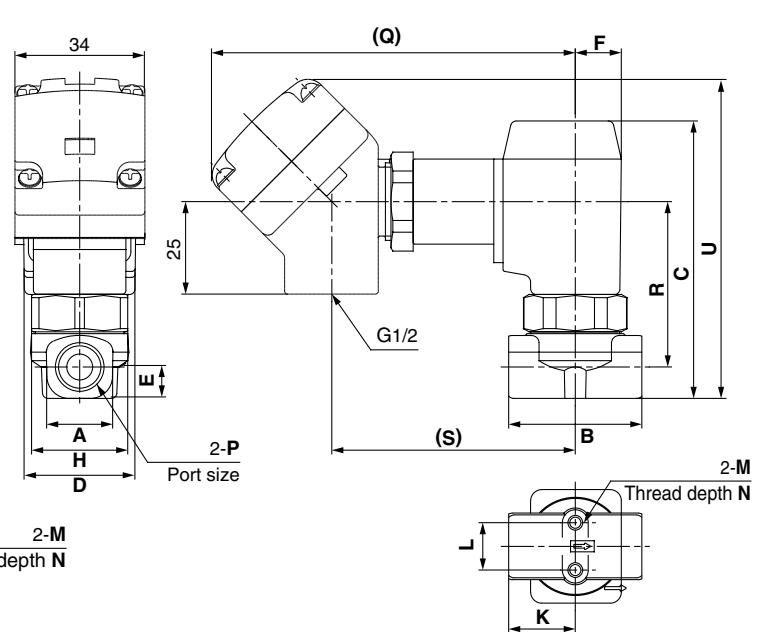
Conduit: C



DIN terminal: D



Conduit terminal: T



N.O.

(mm)

Model	P Port size	A	B	C	D	E	F	H	K	L	M	N	Electrical entry										
													Grommet: G		Conduit: C		DIN terminal: D			Conduit terminal: T			
													Q	R	Q	R	Q	R	S	Q	R	S	U
VCW22	1/8	13.5	28	71.5	31	6.5	12.5	28	14	12.8	M4	4.5	22	45.5	44	43.5	58	41	46.5	99	43.5	66	83
	1/4	18	36	75	31	8.5	12.5	28	18	12.8	M4	6	22	46.5	44	44.5	58	42	46.5	99	44.5	66	86
VCW32	1/4, 3/8	22	40	89.5	36.5	11	15	32	20	19	M5	8	24	57	46	55	60	52.5	48.5	101	55	68	99
VCW42	1/4, 3/8	22	45	97.5	41	11	17	36	22.5	23	M5	8	26	65	48	63	62	60.5	50.5	103	63	70	107
	1/2	30	50	101.5	41	13.5	17	36	25	23	M5	8	26	67	48	65	62	62.5	50.5	103	65	70	111.5

How to Order Manifold

VV2C W 2 — **02** **01** —

For water ●
When there is no symbol for material
• Manifold material: C37
• Seal material: NBR (4 stations or more)

Series ●

2	Class 2
3	Class 3
4	Class 4

Material ●

Symbol	Base material	Seal material
Nil	C37	NBR
A		FKM
B		EPDM
C		PTFE
G	Stainless steel	NBR
H		FKM
J		EPDM
K		PTFE

Stations ●

02	2 stations
...	...
10	10 stations

* Refer to page 17-2-58/59 in the L dimension table regarding the maximum number of stations.

Thread type

Symbol	Thread type
Nil	Rc
N	NPT
F	G

OUT port size

Symbol	Port size
01	1/8 (6A)
02	1/4 (8A)

* All IN ports are 3/8.



How to Order Manifold Assembly

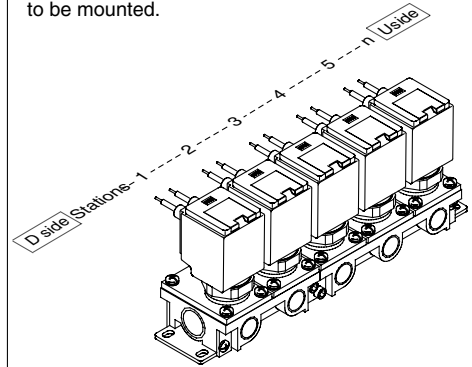
Enter the mounting valve and option part numbers under the manifold base part number.

<Ordering Example>

VV2CW2-0501..... 1 set Manifold part no.
* VCV23-5G-2..... 5 sets Valve part no.
(Stations 1 to 5)

"*" is the symbol for assembly.
Add an "*" in front of the part numbers for solenoid valves, etc., to be mounted.

Enter together in order, counting from station 1 on the D side.



How to Order Valves (For Manifold)

VC W 2 3 1 G 2 —

For water ●
When there is no symbol for material and type of insulation
• Body material: C37
• Seal material: NBR
• Coil insulation: Class B

Series ●

2	Class 2
3	Class 3
4	Class 4

Valve type ●

3	N.C. for manifold
4	N.O. for manifold

Material and insulation type

Symbol	Body material	Seal material	Coil insulation type	Note
Nil	C37	NBR	B	
A		FKM		
B		EPDM		
C		PTFE		
G	SUS	NBR		
H		FKM		
J		EPDM		
K		PTFE		
L		FKM		

Note) High corrosion resistant specification used for armature material.

Orifice size

Symbol	Orifice size (mm)	Class 2	Class 3	Class 4
2	2	○	—	—
3	3	○	○	○
4	4	○	○	○
5	5	○	○	○
7	7	—	○	○

Voltage ●

1	100 VAC
2	200 VAC
3	110 VAC
4	220 VAC
5	24 VDC
6	12 VDC
36	230 VAC

* Please consult with SMC regarding other voltages.

Electrical entry

G	Grommet
C	Conduit
T	Conduit terminal
TL	Conduit terminal with indicator light
D	DIN terminal
DL	DIN terminal with indicator light
DO	DIN terminal (without connector)

* All types are equipped with surge voltage suppressor.

Manifold Option

Blanking plate assembly

VVCW 2 0 - 3A - G

Series ●

2	Class 2
3	Class 3
4	Class 4

Material

Symbol	Plate material	Seal material
G	Stainless steel	NBR
H		FKM
J		EPDM
K		PTFE

JIS Symbol



This is used by mounting it on the manifold block when a valve is removed for maintenance or when the mounting of an additional valve is planned, etc.

VC□

VDW

VQ

VX2

VX□

VX3

VXA

VN□

LVC

LVA

LVH

LVD

LVQ

LQ

LVN

TI/
TIL

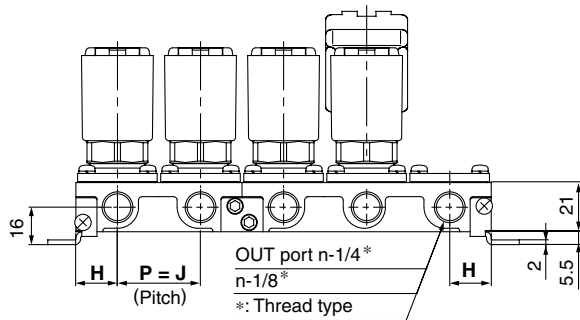
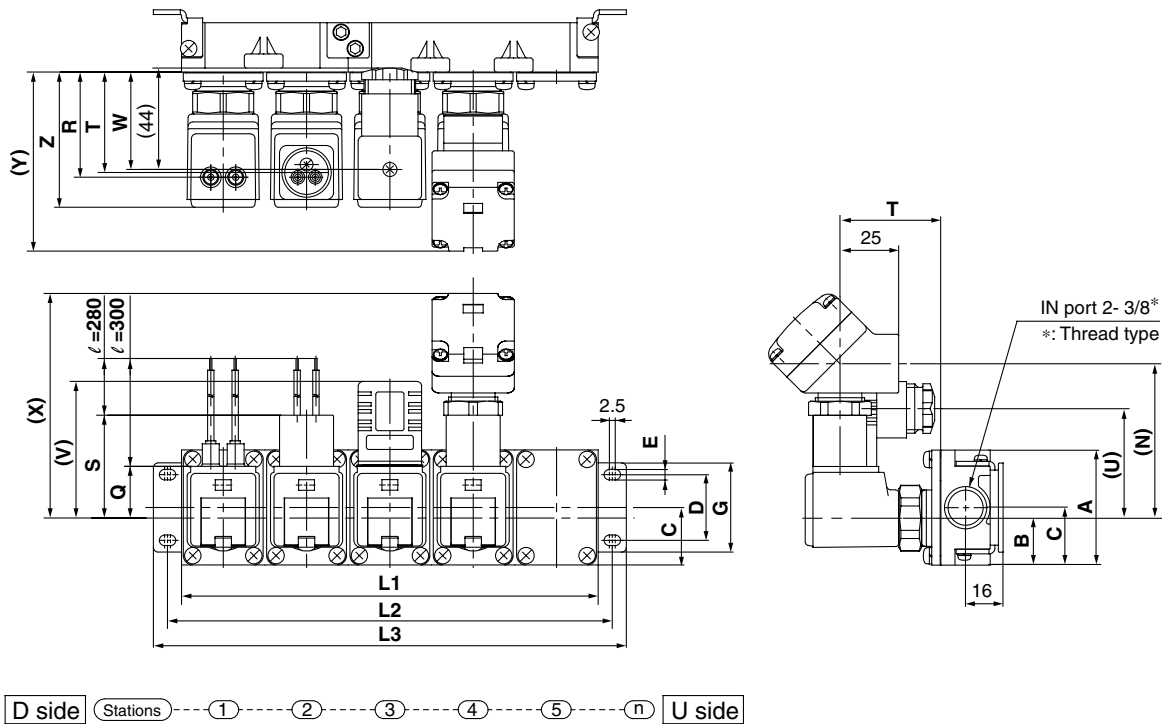
PA

PAX

PB

Series VCW

Dimensions (N.C.)



L Dimension

(mm)

Model	Dimensions	n (stations)									
		2	3	4	5	6	7	8	9	10	
VV2CW2	L1	69	103.5	138	172.5	207	241.5	276	310.5	345	
	L2	81	115.5	150	184.5	219	253.5	288	322.5	357	
	L3	93	127.5	162	196.5	231	265.5	300	334.5	369	
VV2CW3	L1	77	115.5	154	192.5	231	269.5	308	346.5	385	
	L2	89	127.5	166	204.5	243	281.5	320	358.5	397	
	L3	101	139.5	178	216.5	255	293.5	332	370.5	409	
VV2CW4	L1	83	124.5	166	207.5	249	290.5	332	373.5	415	
	L2	95	136.5	178	219.5	261	302.5	344	385.5	427	
	L3	107	148.5	190	231.5	273	314.5	356	397.5	439	
Manifold composition	2 stns. x 1	3 stns. x 1	2 stns. x 2	2 stns. + 3stns.	3 stns. x 2	2 stns. x 2 + 3 stns.	2 stns. + 3 stns. x 2	3 stns. x 3	2 stns. x 2 + 3 stns. x 2		

Note) Manifold base is consisted of the junction of 2 and 3 station bases.

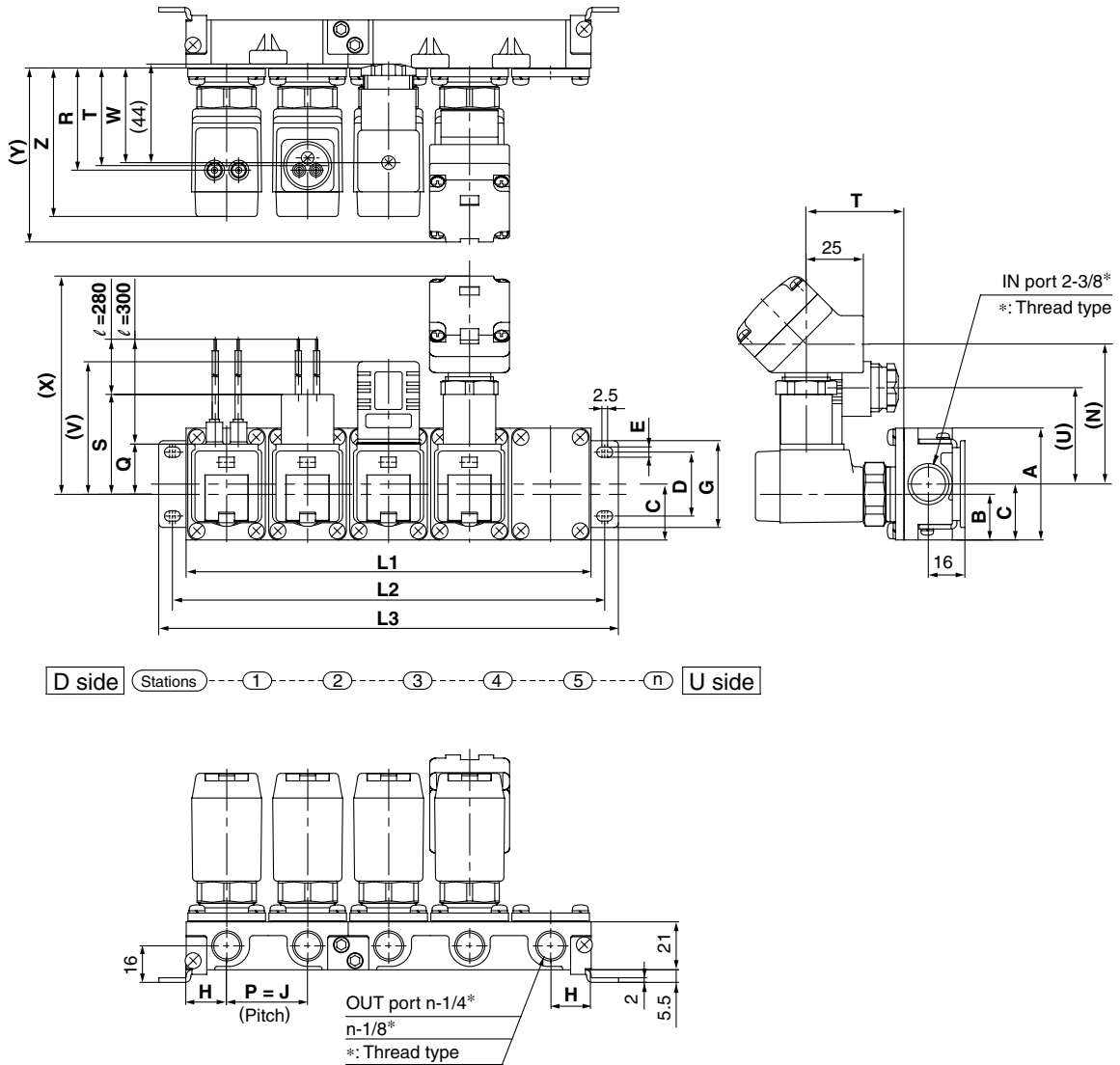
Dimensions

(mm)

Model	A	B	C	D	E	G	H	J	Z	Electrical entry									
										Grommet		Conduit		DIN terminal			Conduit terminal		
										Q	R	S	T	U	V	W	N	X	Y
VV2CW2	49	20	24.5	28	4.5	38	17.3	34.5	56	22	45.5	44	43.5	46	58	41.5	66	99	77
VV2CW3	57	25.5	28.5	30	5.5	42	19.3	38.5	66	24	55	45.5	53	48	60	51	68	101	86.5
VV2CW4	57	25.5	28.5	30	5.5	42	20.8	41.5	74	26	62.5	47.5	60.5	50	62	58.5	70	103	94

Direct Operated 2 Port Solenoid Valve For Water Series VCV

Dimensions (N.O.)



- VC□
- VDW
- VQ
- VX2
- VX□
- VX3
- VXA
- VN□
- LVC
- LVA
- L VH
- LVD
- LVQ
- LQ
- LVN
- T/ TIL
- PA
- PAX
- PB

L Dimension

Model	Dimensions	n (stations)									
		2	3	4	5	6	7	8	9	10	
VV2CW2	L1	69	103.5	138	172.5	207	241.5	276	310.5	345	
	L2	81	115.5	150	184.5	219	253.5	288	322.5	357	
	L3	93	127.5	162	196.5	231	265.5	300	334.5	369	
VV2CW3	L1	77	115.5	154	192.5	231	269.5	308	346.5	385	
	L2	89	127.5	166	204.5	243	281.5	320	358.5	397	
	L3	101	139.5	178	216.5	255	293.5	332	370.5	409	
VV2CW4	L1	83	124.5	166	207.5	249	290.5	332	373.5	415	
	L2	95	136.5	178	219.5	261	302.5	344	385.5	427	
	L3	107	148.5	190	231.5	273	314.5	356	397.5	439	
Manifold composition		2 stns. x 1	3 stns. x 1	2 stns. x 2	2 stns. + 3 stns.	3 stns. x 2	2 stns. x 2 + 3 stns.	2 stns. + 3 stns. x 2	3 stns. x 3	2 stns. x 2 + 3 stns. x 2	

Note) Manifold base is consisted of the junction of 2 and 3 station bases.

Dimensions

Model	A	B	C	D	E	G	H	J	Z	Electrical entry									
										Grommet		Conduit		DIN terminal			Conduit terminal		
										Q	R	S	T	U	V	W	N	X	Y
VV2CW2	49	20	24.5	28	4.5	38	17.3	34.5	63.5	22	45.5	44	43.5	46	58	41.5	66	99	77
VV2CW3	57	25.5	28.5	30	5.5	42	19.3	38.5	74	24	55	45.5	53	48	60	51	68	101	86.5
VV2CW4	57	25.5	28.5	30	5.5	42	20.8	41.5	81.5	26	62.5	47.5	60.5	50	62	58.5	70	103	94