

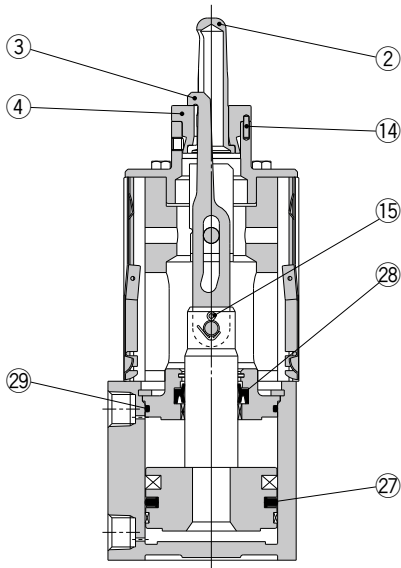
CKQGU/CKQPU Series $\varnothing 50$

The Replacement Procedure is on p. 407

Construction

CKQGUA50

* The below figures indicate the CKQGUA50-□RAL.

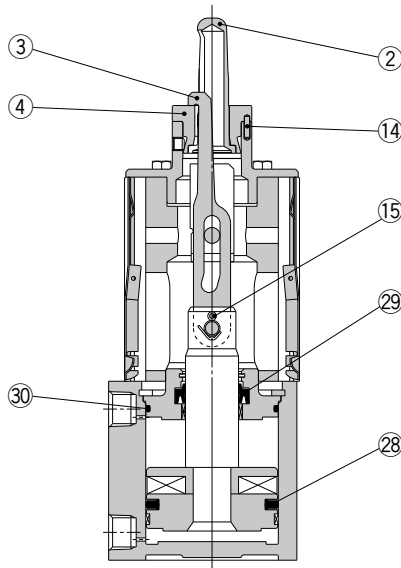


* There's no seal kit for CLKQGUA50.

* The numbers correspond with those in the "Construction" of the CKQ□U/CLKQ□U series in the Best Pneumatics catalog.

CKQPUA50

* The below figures indicate the CKQPUA50-□RAL.



* There's no seal kit for CLKQPUA50.

* The numbers correspond with those in the "Construction" of the CKQ□U/CLKQ□U series in the Best Pneumatics catalog.

Seal Kit List

No.	Description	Material	Note
②⑦	Piston seal	NBR	
②⑧	Rod seal		
②⑨	Tube gasket		

Replacement Parts: Seal Kit

Part no.	Content
CQ2B50-PS	Set of nos. ②⑦, ②⑧, ②⑨

* Consult SMC for maintenance service. Seal kit for maintenance of the CLKQ□ series with lock is not available.

Replacement Parts: Grease Pack

Grease pack part no.	Content
GR-S-010	Grease 10 g (Lithium)

* Consult SMC when replacing the actuating cylinders.

Seal Kit List

No.	Description	Material	Note
②⑧	Piston seal	NBR	
②⑨	Rod seal		
③⑩	Tube gasket		

Replacement Parts: Seal Kit

Part no.	Content
CQ2B50-PS	Set of nos. ②⑧, ②⑨, ③⑩

* Consult SMC for maintenance service. Seal kit for maintenance of the CLKQ□ series with lock is not available.

Replacement Parts: Grease Pack

Grease pack part no.	Content
GR-S-010	Grease 10 g (Lithium)

* Consult SMC when replacing the actuating cylinders.

Guide Pins Assembly List

No.	Description	Material	Note
②④	Guide pins assembly	Stainless steel	
①④	Parallel pin	Tool steel	

* Refer to page 211 for the guide pins assembly.

Clamp Arm Assembly List

No.	Description	Material	Note
③	Clamp arm	Structural steel	
①⑤	Cotter pin	Stainless steel	

Actuators

Modular F.R.L.
Pressure Control Equipment

Air Preparation
Equipment

Industrial Filters

Replacement
Procedure

Actuators

Modular F.R.L.
Pressure Control Equipment

Industrial Filters